

Omni-Directional Laser Scanner

Omni Series



Omni-352



Omni-652

Great Performance, Durable and High Reliability

The excellent quality scanners provide first-rate performance as other well-known brands products but with much lower price to acquire. Small foot-print envelope saves valuable counter room and helping operators to carry out transactions with ease. It is not only worked as stationary scanner but it also capable to work as hand-held unit for larger and bulky items. The high scan rate engine, powerful decoding ability and plenty of programming parameters ensure scanning barcode as an easy and pleasant job.

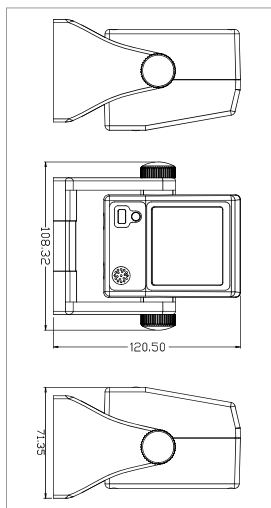
FEATURES

- Presentation & hand-free scanner
- World-class performance
- Small-foot print housing
- Low acquisition cost

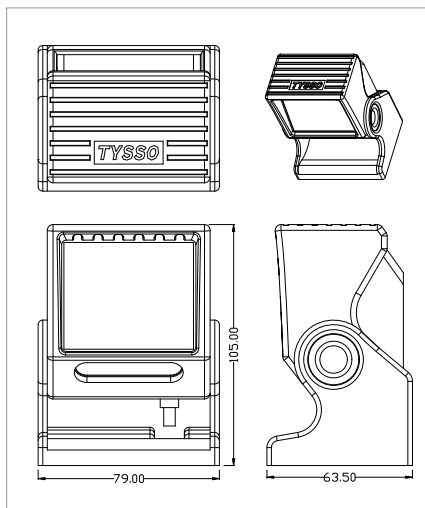
SPECIFICATIONS

Model Number	Omni-352 Series	Omni-652 Series
Operational		
Light Source	650nm Visible Laser Diode	
Depth of Field	25mm~280mm	0~210mm
Reduced Depth of Field	25mm~150mm	Not support
Omni Scan Mode	20 scan lines	
Scan Speed	1650 scan lines per second	1200 scan lines per second
Single Line Mode	Support	Not support
Scan Speed	80 scan lines per second	Not support
Minimum Bar Width	5 mil (0.127mm)	
Print Contrast	35%	30%
Indicators (LED)	Blue, White	Red, Green
Decoding Capabilities	UPC/EAN, Code 128, Code 93, Codabar, Interleaved 2 of 5, Code 11, Code 39, MSI/Plessey, RSS-14	
Beeper Operation	Programmable 7 tones or no beep	Programmable tone and beep time
System Interfaces	Keyboard wedge, RS-232, USB	
Electrical		
Voltage Supply	5VDC \pm 0.25	5VDC \pm 10%
Operating Power	1.375 W	1.0 W
Operating Current	275 mA	200 mA
Laser Class	IEC 60825-1, EN 60825-1	CDRH Class IIa, IEC 60825-1
EMC	CE & FCC DOC compliance	
Environment		
Operating Temperature	-20°C to 40°C	0°C to 40°C
Storage Temperature	-40°C to 60°C	- 20°C to 60°C
Humidity	5% to 95% relative humidity, non-condensing	
Shock	Designed to withstand 1m drops	

DIMENSIONS



Omni-652



Omni-352

SCAN ZONE

